

## TYPICAL INSTALLATION FOR B. R. TICKET WINDOW

- 1) QUIKSERV TICKET WINDOWS MUST BE INSTALLED LEVEL AND SQUARE TO WORK PROPERLY.
- 2) ANCHOR SCREWS TO BE SUPPLIED BY CONTRACTOR. ANCHOR SCREWS TO BE #14 X 3-1/2".
- 3) REMOVE THE B.R. GLAZING FROM THE INTERIOR SIDE OF THE TICKET WINDOW FRAME AND SET ASIDE.
- 4) SLIDE TICKET WINDOW THROUGH THE ROUGH OPENING. THE QUIKSERV NAME PLATE FACES THE EXTERIOR OF THE BUILDING.
- 5) INSTALL THE ANCHOR SCREWS THROUGH THE PREDRILLED HOLES. (SEE FIG. 1)
- 6) RE-INSTALL THE B.R. GLAZING INTO THE TICKET WINDOW FRAME. (SEE FIG. 2 & 3)
- 7) INSTALLER SHOULD RE-ANCHOR THE U-CANNEL PROVIDED AROUND BACKSIDE OF THE B.R. GLAZING. (SEE FIG. 3)
- 8) SILICONE ALL EXTERIOR AND INTERIOR JOINTS.
- 9) ALL OTHER TYPE OF ANCHORING TO BE APPROVED BY CERTIFIED ENGINEER.

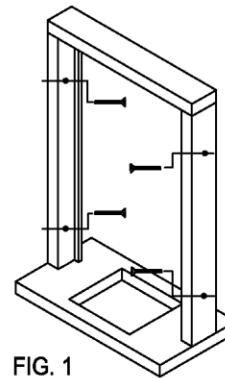


FIG. 1

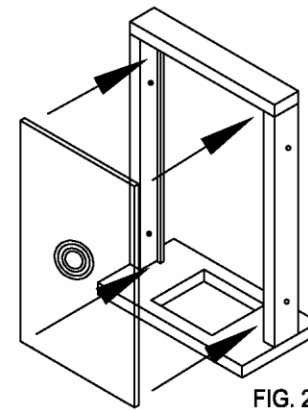


FIG. 2

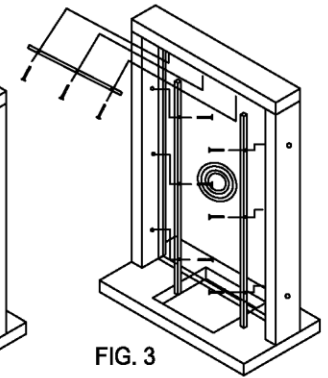
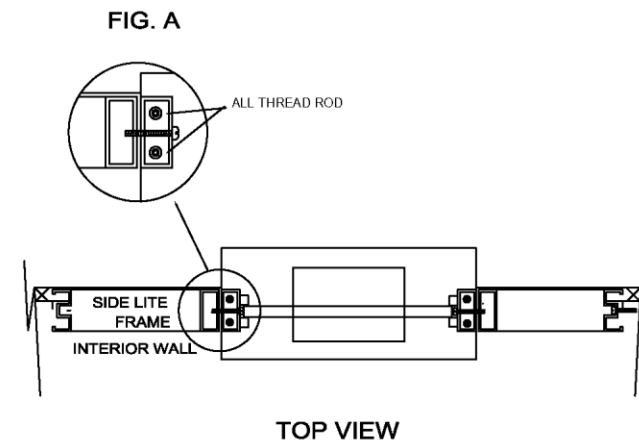


FIG. 3



NOTE: THIS DRAWING EMBODIES A CONFIDENTIAL PROPRIETY DESIGN ORIGINATED AND OWNED BY QUIKSERV CORP., AND IS SUBMITTED UNDER A CONFIDENTIAL RELATIONSHIP. ALL PATENT, MANUFACTURING, SALE RIGHTS REGARDING THE SAME ARE RESERVED EXCEPT TO THE EXTENT RIGHTS ARE EXPRESSLY GRANTED TO OTHERS. THE RECIPIENT AGREES BY ACCEPTING THESE DRAWINGS NOT TO SUPPLY OR DISCLOSE ANY INFORMATION REGARDING THEM TO ANY UNAUTHORIZED PERSON.

Job:

Represented by  
Interbank-Exchange, LLC  
P. O. Box 632  
Black Canyon City, AZ 85324

## Ticket Window With BR Glazing Installation

Drawing Name:  
T-1 W/ B.R. Glazing

Scale:  
N/A

Date:  
1/25/2010

Drawn By:  
BC

Rev.