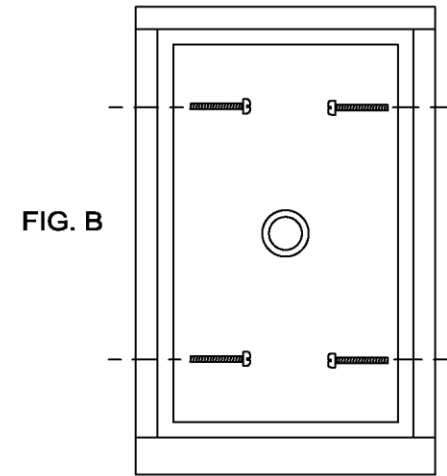


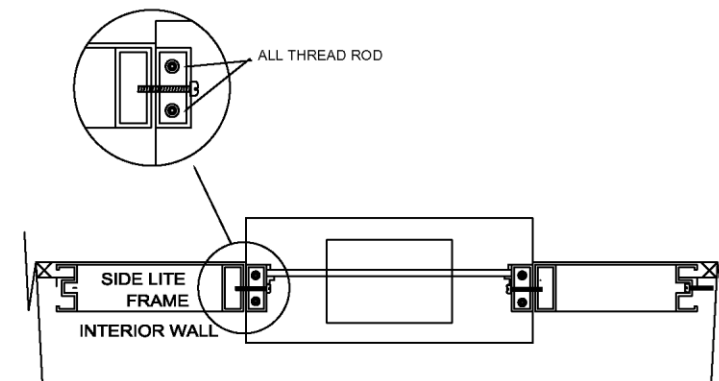
## TYPICAL INSTALLATION FOR TICKET WINDOW W/ 1/4" GLAZING

- 1) QUIKSERV TICKET WINDOWS MUST BE INSTALLED LEVEL AND SQUARE TO WORK PROPERLY.
- 2) ANCHOR SCREWS TO BE SUPPLIED BY CONTRACTOR. ANCHOR SCREWS TO BE #14 X 3-1/2".
- 3) ANCHOR THROUGH EACH SIDE JAMB THROUGH THE PRE-DRILLED HOLES. (SEE FIG. A & B) SEE FIG. B
- 4) CAUTION WHEN DRILLING THRU SIDE JAMBS - ALL THREAD RODS ARE LOCATED IN EACH SIDE JAMB. SEE FIG. A
- 5) RECOMMENDED HEIGHT FROM FLOOR TO SERVICE OPENING TO BE 36". (CHECK ALL LOCAL AND CITY CODES.)
- 6) SILICONE ALL EXTERIOR AND INTERIOR JOINTS.
- 7) ALL OTHER TYPE OF ANCHORING TO BE APPROVED BY CERTIFIED ENGINEER.



EXTERIOR VIEW SHOWN

FIG. A



TOP VIEW

NOTE: THIS DRAWING EMBODIES A CONFIDENTIAL PROPRIETY DESIGN ORIGINATED AND OWNED BY QUIKSERV CORP., AND IS SUBMITTED UNDER A CONFIDENTIAL RELATIONSHIP. ALL PATENT, MANUFACTURING, SALE RIGHTS REGARDING THE SAME ARE RESERVED EXCEPT TO THE EXTENT RIGHTS ARE EXPRESSLY GRANTED TO OTHERS. THE RECIPIENT AGREES BY ACCEPTING THESE DRAWINGS NOT TO SUPPLY OR DISCLOSE ANY INFORMATION REGARDING THEM TO ANY UNAUTHORIZED PERSON.

Job:

Represented by:  
Interbank-Exchange, LLC  
P. O. Box 632  
Black Canyon City, AZ 85324

## Ticket Window 1/4" Glazing Installation

Drawing Name:  
T-1 W/ 1/4" Glazing

Scale:  
N/A

Date:  
1/23/2010

Drawn By:  
BC

Rev.