

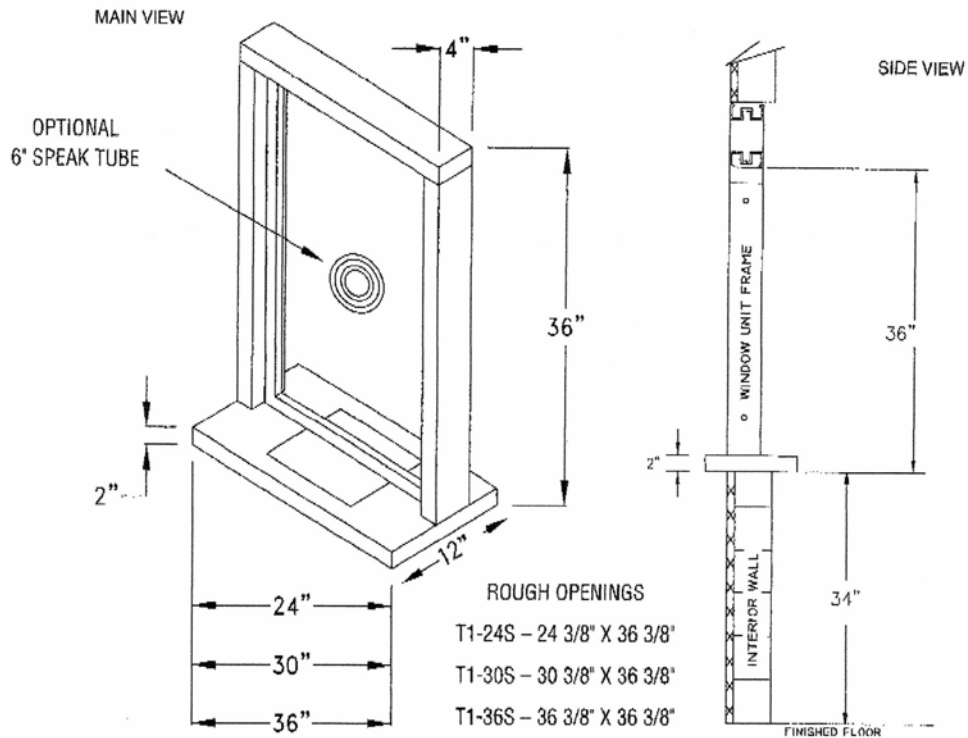


Transaction/Ticket Windows



MODELS T1-2436, T1-3036 AND T1-3636

"S" IN NUMBER SIGNIFIES WINDOWS WITH SPEAK THRU



Div of Interbank-Exchange, LLC P. O. Box 632, Black Canyon City, AZ 85324
 PH: 623-465-9899 Fax: 623-465-9699
www.interbank-equipment.com